



Diplomat™

Making Security Easier.

GKB Diplomat™ D1702 IP Camera

Self-Networking Weatherproof IP Camera with Infrared and Varifocal Lens

GKB Diplomat™ D1702 is a professional IP camera for use in outdoor areas and targeting large or tender-based installation projects requiring advanced network technologies. It is also the world's first professional network camera to feature automated self-networking for fast network set-up and installation.

Features:

- Automated Self-Networking

GKB Diplomat™ D1702 is a self-networking IP camera that eliminates the need for complicated and time-consuming router configuration. Bundled GKB Envoy™ software reduces network set-up to less than 30 seconds.

- H.264 Video Compression

GKB Diplomat™ D1702 features H.264 video compression for superior video resolution. The low bit-rate of H.264 codec makes for smoother video streaming, even under the most unfavorable of network environments.

- Sony HQ-1 DSP

GKB Diplomat™ D1702 features the Sony HQ-1 DSP chip which outputs all signals via the ITU-656 interface. Without analog-to-digital conversion, more image data is preserved, for impressive image quality.

- Varifocal Lens

GKB Diplomat™ D1702 includes a varifocal lens with focal length of 4-9 mm for wide-angle video capture. An optional 9-22 mm focal length lens can be installed for longer focal range.

- Infrared and Optional ICR

A built-in infrared sensor delivers superior image capture during night and low light conditions. And an optional ICR function automates the switch between Color and B/W modes during day and night surveillance.

- Weatherproof Housing

Weatherproof housing allows GKB D1702 to be installed in most applications and environments, including in summer, winter, sunny day or rainy day; making it an ideal camera for outdoor surveillance.



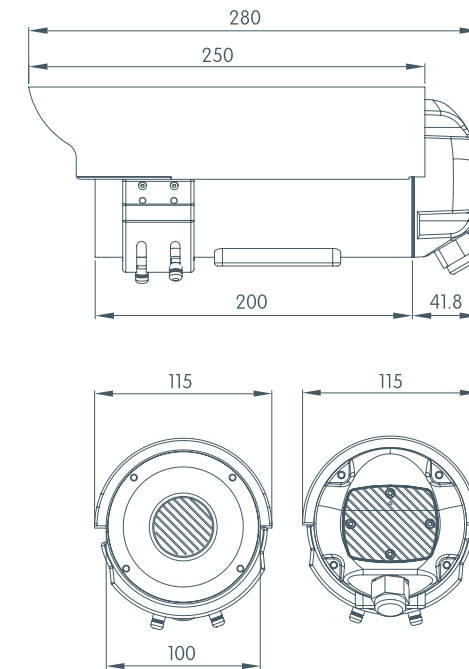
Alternate Views



GKB Diplomat™ D1702 IP Camera

Video	Image Sensor	1/3" Sony CCD	
	Video Compression	H.264	
	Video Streams	8	
	Number of Effective Pixels	NTSC:768(H)*494(V) / PAL:752(H)*582(V)	
	Resolution	QQVGA, QCIF, QVGA, CIF, VGA, D1	
	Frame Rate	Up to 30 fps in all resolution	
	Min. Illumination	0.3 Lux, 50 IRE, F1.4 / 0.01 Lux, 10 IRE, F1.4	
	Gamma	0.45	
	S/N Ratio	>48 dB	
	Sync. Mode	Internal Sync	
	Scanning System	2:1 Interlace	
	Shutter Control	NTSC: 1/60-1/100,000 sec. / PAL: 1/50-1/100,000 sec.	
	BNC Video Output	1.0Vpp.75ohm	
	Night Mode	Auto	
	ICR (IR-Cut Filter)	Optional	
	White Balance	ATW	
	Infrared LED	Quantity	28
Peak Wavelength		850nm	
Radiant Distance		30 meters	
Power	Power Supply	12V DC	
	Power Consumption	8.2W	
Audio (Optional)	Audio Streaming	Two-way Audio	
	Audio Input/Output	Audio In: Line Level Input / 50Hz-20KHz 0.7Vp-p Audio Out: Line Level Output / Speaker 8 ohm 330mW	
Lens	3~9mm auto iris lens (standard); 9~22mm (optional)		
Dimension	280(L x 115(Ø)mm		
Weight	1.6kg		
Ingress Protection Rating	IP66		
Operating Temperature	-10°C to 60°C		
Network	Protocol	HTTP, TCP, UDP, DNS, DHCP, PPPoE, Samba	
	Ethernet	10/100M Fast Ethernet RJ-45 Port	
	PoE	Optional	
Software	Operating System	Windows XP and above	
	Software Package	64-channel NVR	Viewer
		Remote Playback	Setup Software Utility

Dimensions



Optional Accessories



HD-914