

GKB Diplomat™ D6122 IP Camera

Self-Networking Weatherproof Megapixel IP Camera with Infrared

GKB Diplomat™ D6122 is a professional 1.3 Megapixel IP camera which covers wider range and provides much clearer images than traditional analog cameras. It is also the world's first High Definition network camera to feature automated self-networking for fast network set-up and installation.

Features:

- **1.3 Megapixel CMOS Sensor**
 GKB Diplomat™ D6122 is a professional 1.3 Megapixel IP Camera and provides SXGA resolution. One GKB Diplomat™ D6122 covers the resolution over 4 times of D1 resolution analog cameras.
- **H.264 Video Compression**
 GKB Diplomat™ D6122 features H.264 video compression for superior video resolution. The low bit-rate of H.264 codec makes for smoother video streaming, even under the most unfavorable of network environments.
- **Digital Zoom Function**
 GKB Diplomat™ D6122 features 1.3 Megapixel high resolution. Bundled GKB Envoy™ software which provides Digital Zoom Function, users are able to see clear live view image in all surveillance area by using few cameras.
- **Automated Self-Networking**
 GKB Diplomat™ D6122 is a self-networking IP camera that eliminates the need for complicated and time-consuming router configuration. Bundled GKB Envoy™ software reduces network set-up to less than 30 seconds.
- **Cloud Platform**
 Cloud platform framework brings IP solution to a new level. The IP cameras are managed by account and password. The live image and playback can display anytime anywhere via the IE browser, without any extra software installed.
- **Micro-SD Card Storage**
 GKB Diplomat™ D6122 is equipped with a Micro-SD card slot. The video is recorded locally in the Micro-SD card, and can be retrieved easily remotely by IE browser without taking out the Micro-SD card.



Alternate Views



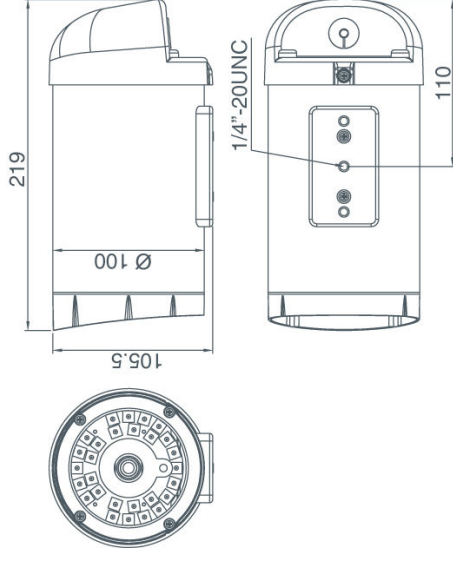
GKB Diplomat™ D6122 IP Camera

Video	Image Sensor	1/3" Megapixel CMOS Sensor
	Video Compression	H.264
	Video Streams	8
	Resolution	SXGA(1280*1024),VGA,QVGA
	Frame Rate	Up to SXGA, 15 fps
	Min. Illumination	0 Lux (IR LED ON)
	S/N Ratio	>44dB
	Scanning System	Progressive
	Shutter Control	1/5~1/15,000 sec Electronic rolling shutter(ERS)
	Night Mode	Auto (Photoresistor Sensor)
	Auto Gain Control	Auto / Manual(by remote software)
	Back Light Control	Auto / Manual(by remote software)
	White Balance	ATW
	Quantity	28
Infrared LED	Peak Wavelength	850nm
	Radiant Distance	30 meters
	IR LED ON	Under 3-5 Lux
Power	Power Supply / Consumption	12V DC / 6.6W
	Audio Streaming	Two-way Audio
Audio	Audio Input / Output	Audio in: Line Level Input / Audio out: Line Level Output : Speaker 8 ohm 330mW
	Serial Interface	RS-485, Baud Rate9600,1D1
I/O Interface	D/DO	Dix1, 12V~24V DC DOx1, 30V DC-1A or 125V AC-0.5A
	Storage	Micro SD Card up to 32GB (Enable Remote Site Playback)
Lens	6mm Board Mega Pixel Lens	
Dimension / Weight	219 (L) * 108.6(H) * 100(Φ)mm / 1.1 Kg	
Ingress Protection Rating	IP66	
Operating Temperature	-10°C ~60°C	

Diplomat™ IP Camera

Networking	Protocol	HTTP,TCP,UDP,DNS,DHCP,PPPoE, Samba,RTP,RTCP,RTSP
	Ethernet	10/100Mbps Fast Ethernet RJ-45 port
	Operating System	Windows XP and above
Software Package	Software Package	64 Channel NVR Remote Playback
	Viewer	Setup Software Utility

Dimension (mm)



Optional Accessories



GKB HD914

